

GHG-YS65C Concealed Hinge

Features

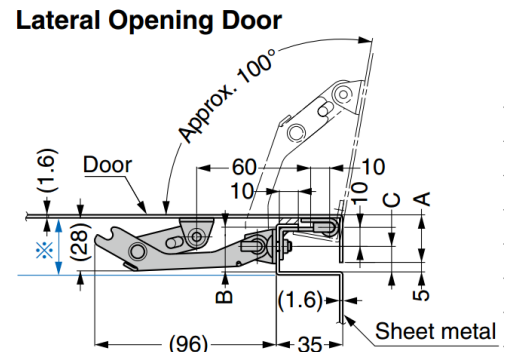
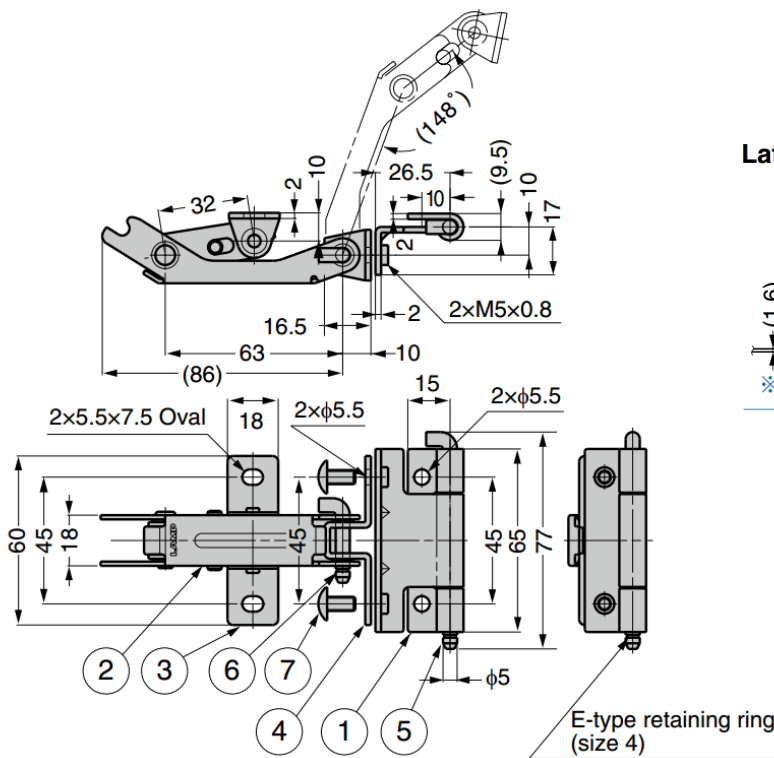
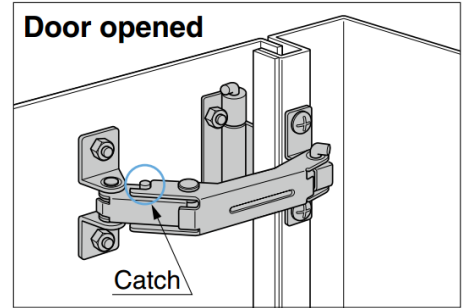
- Combination of hinge and stay
- Stay with catch holds door in opened position
- Catch is of a spring type. When door is pushed with a stronger force (refer to the retaining torque), the spring extends and the catch is released
- Non-handed
- Removable pin allows easy door installation and removal
- Slim shape (Refer to ※ after "Cut Out Dimensions")

Notes

- E-type retaining ring not included
- Use screw lock to fix mounting screws of stay and hinge
- Retaining torque may vary depending on environment and usage

Parts Included

- Mounting screws for stay and hinge: Truss head screw M5×10 (2pcs)



Cut Out Dimensions

A	B	C
20	19	8.5
21	20	9.5
22	21	10.5
23	22	11.5
24	23	12.5
25	24	13.5

※ It can also be used for top opening lid, but the retaining torque varies.

Note: Using 2 hinges may not double the retaining torque due to installation fluctuation

No.	Part Name	Material	Finish
①	Hinge	Stainless Steel (SUS304)	Polished
②	Stay		
③	Bracket		
④	Hinge Bracket		
⑤	Pin		
⑥	Hinge Bracket Pin		
⑦	Truss Head Screw M5 × 10 (Included)	SUS	-

Part No.	Max. Door Weight (per pair)	Retaining Torque (per piece)	
GHG-YS65C	Approx. 10 kg	Approx. 294 cN.m	Approx. 30 kgf.cm